



Collaboration with all Truck Manufacturers brands



- > CONCRETE MIXERS ON TRUCK: 4 – 12 m³.
- > CONCRETE MIXERS ON SEMI-TRAILER: 7 – 15 m³.

IVECO

DAF



Mercedes-Benz



SERVIPLEM, S.A. – TELCON (BARYVAL)

SERVIPLEM, S.A.

In partnership with



Production Process



Components forming the drum are manufactured separately using special tools.



Incorporation of the latest developments in automatic welding and cutting processes.



Superficial shotblasting process for the drum carried out in cubicles.



Production Process



Assembly Process.



Final Assembly Shop.
Custom- designed assembly of the various optional extras that have been selected by the client.



Special Cubicles where the concrete mixers can be sanded down, cleaned and have any grease removed.



High quality Painting process.



Finished



Technical Characteristics

RANGE AMB – 6 to 12 m³

	6 x 4			8 x 4			8 x 4 (special models)	
RANGE AMB	AMB-6 L	AMB-7 L	AMB-7*8 L	AMB-8 L	AMB-9 L	AMB-10 L	AMB-11 L	AMB-12 L
NOMINAL VOL. (m ³)	6m ³	7 m ³	7 m ³	8 m ³	9 m ³	10 m ³	11 m ³	12 m ³
MAXIMUM VOLUME *	7 m ³	8 m ³	8,3 m ³	9 m ³	10 m ³	11 m ³	12 m ³	13 m ³
GEOMETRIC VOL.	12135 l	13375 l	13375 l	14615	16090 l	17329 l	18935 l	20260 l
VOL.EFECTIVO MAX. (%)	58%	59%	62%	62%	62%	63%	63%	64%
WEIGHT (kg.)	2915 Kg.	3025 Kg.	3040 Kg.	3175 Kg.	3425 Kg.	3530 Kg.	3635 Kg.	3740 Kg.
MAXIMUM WIDTH	2582 mm	2645 mm	2645 mm	2707 mm	2705 mm	2760 mm	2805 mm	2860 mm
HEIGHT TO LOADING	2483 mm	2545 mm	2545 mm	2608 mm	2610 mm	2660 mm	2715 mm	2770 mm

- WITH DRUM FOR MAXIMUM VOLUME, UNDER CONDITIONS OF CONCRETE.
- WEIGHT STANDARD CONFIGURATION, WITHOUT INCLUDING PAINTING, CYCLIST PROTECTION BARS AND FIXING PLATES.

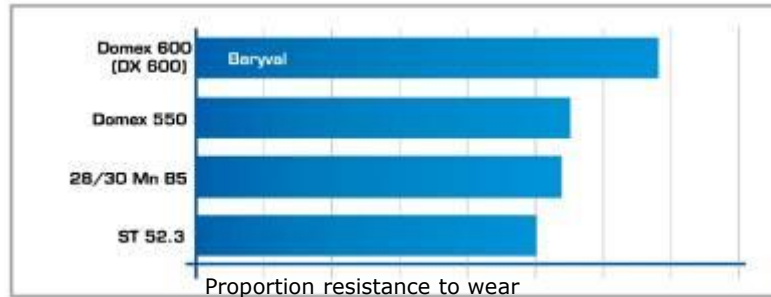


DOMEX STEEL, SSAB (Swedish Steel)

Steel used by BARYVAL



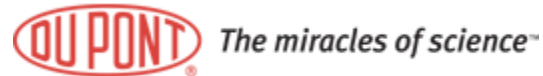
DOMEX High Quality



- > Manufacturing of the drum with SSAB Domex 600 anti-wearing steel.
- > Advantages: Highly resistant to wear and tear.



Painting Process



- > **Shot-blasting treatment for all the steel parts,**
applying a 40-50 μ to components Epoxi coat of anti-rust primer.

- > **Shot-blasting treatment for all welding parts,** using the same system.

- > **Final painting:**
 - > Single coat, with acrylic polyurethane paint, between a 70-80 μ coat.
Drying at 60° C.
 - > Double coat possibility.





Advantages

"Innovation, Quality & Service Worldwide"



- > **Concrete Mixers: capacities from 6 to 12 m³.**
 - > Lower centre of Gravity: reduction in high of the whole unit.
 - > More reliable and steady behaviour when transporting loads, increasing safety.
- > **Superior Steel DOMEX (DX)** highly resistant to wear and tear and with a high elastic limit.
- > **Optimum mixing of the concrete.**
- > **Rapid and efficient unloading.**
- > **First world brands** in equipments and components.
- > **Robust Equipment.**
- > **Simplicity in its functioning.**
- > **Fast cleaning.**
- > **Technical and Commercial Assistance. Service closed to the client.**



Manufacturing of Concrete Mixer on BARYVAL Semi-trailer.

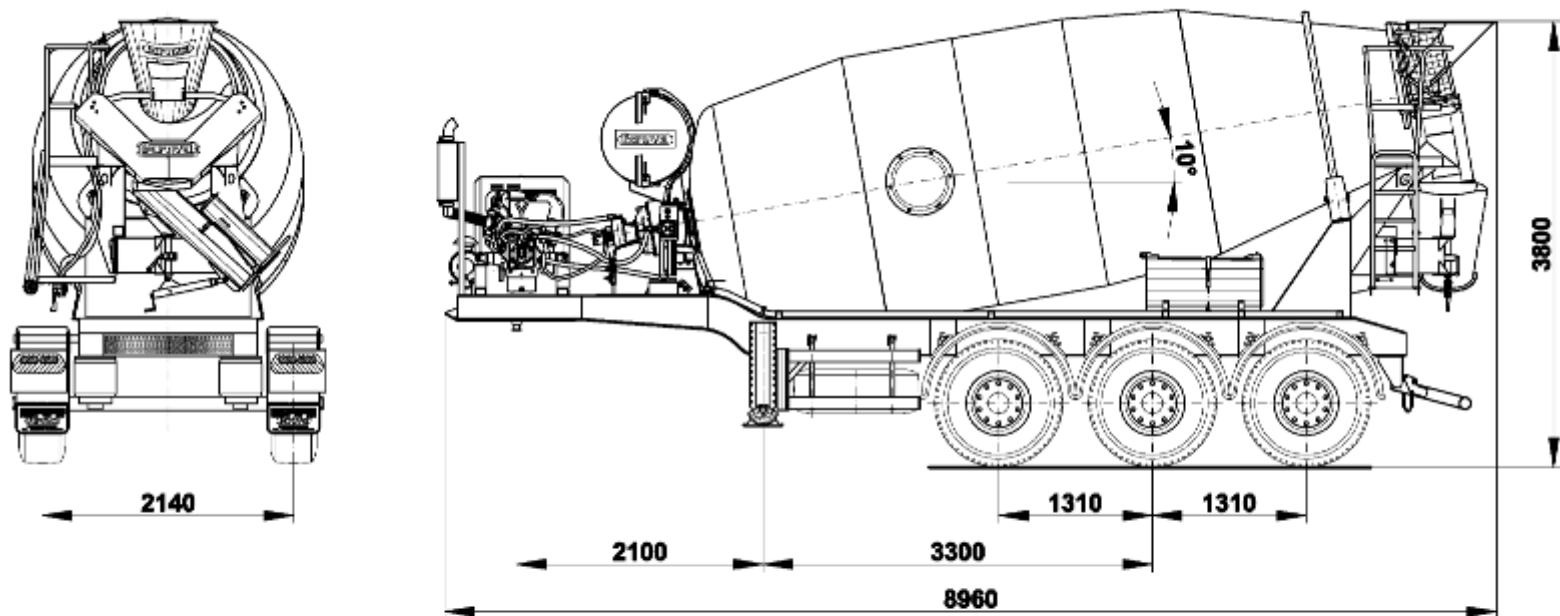
Semi-Trailer, New Design: 12 m³



- CAPACITY: 12 m³.
- WEIGHT: 8.840 kg.
- CHASSIS: BARYVAL.
- 3 AXLES, SIMPLE WHEEL.
- AUXILIARY MOTOR 150 PS.
- GEAR BOX.
- Manufactured with DOMEX anti wearing steel.
- SAUER SPV 23 PUMP.
- MOTOR TMM 23.
- Pressurised water tank 800 l.
- Pneumatic suspension.
- Axles ECO-PLUS 9.000 kg. with drum breaks.

- The new design has helped to achieve a **lower centre of gravity**.
- A **lightweight unit**, the result of a study combining design and technology.
- As **opcional Safety and Confort Features:**
 - Emergency Stop.
 - Drum Brakes.
 - Anti-jumping.
 - Constant Speed Drive (C.S.D.).
 - Anti-Trap.
 - Aluminium or plastic mudguards.
 - Sliding Ladder.
 - Plastic prolongation Foldaway.

NEW DESIGN – 12 m³ Concrete Mixer on BARYVAL Semi-trailer



**12 M³ CONCRETE MIXER ON BARYVAL SEMI-TRAILER.
3 AXLES, SIMPLE WHEEL. PNEUMATIC SUSPENSION**